



Fine Furniture Practice Test

This assessment test is used for **ALL** students applying to enter the Fine Furniture Program. It consists of three (3) parts:

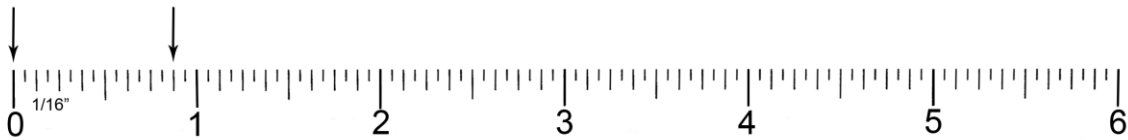
- I – Math and Measurement** (45 questions)
- II – English and Vocabulary and Comprehension** (25 questions) and composition (written paragraph)
- III – Visualization and Mechanical Aptitude** (20 questions).

To book your Fine Furniture assessment, visit <https://canada.registerblast.com/camosun/Exam/List> and follow the prompts.

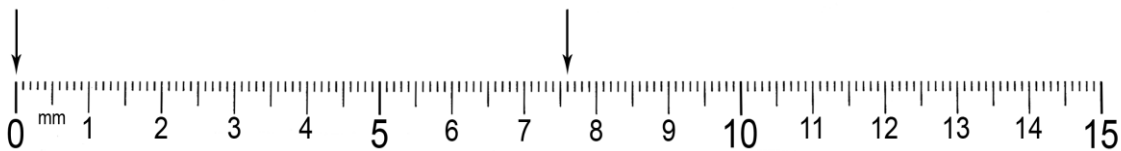
The following sample questions are a representation of the types of questions that are on the exam:

I – Math and Measurement

1. If 5 woodworkers each planed 307 feet of wood per day for 4 days, what is their total combined distance?
(a) 6260 ft. (b) 6140 ft. (c) 7140 ft. (d) 6220 ft. (e) 6620 ft.
2. Which of the following has the same numerical value as $\frac{3}{8}$?
(a) 0.038 (b) 0.38 (c) 3.8 (d) 3.75 (e) 0.375
3. The distance shown between the two arrows below would most correctly be expressed as:
(a) $1\frac{1}{8}$ " (b) $1\frac{2}{16}$ " (c) $\frac{14}{8}$ " (d) $\frac{14}{16}$ " (e) $\frac{7}{8}$ "

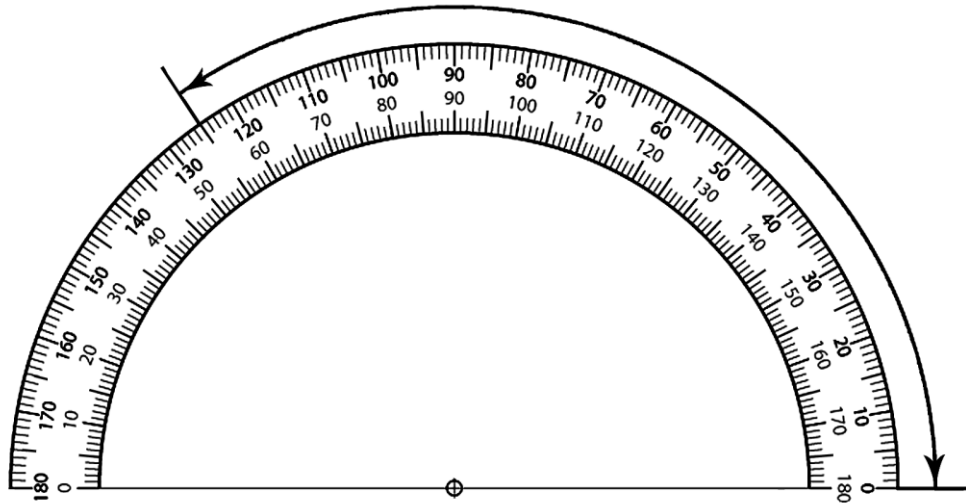


4. The distance shown between the two arrows below would most correctly be expressed as:
(a) 0.76mm (b) 7.6mm (c) 76mm (d) 760mm (e) 706mm



5. The angle indicated by the arrows below would be described as:

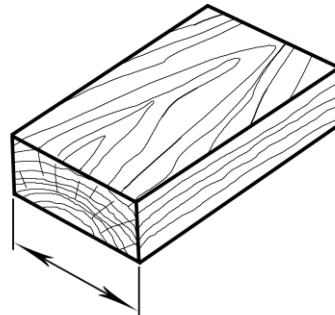
- (a) 55 degrees (b) 35 degrees (c) 135 degrees (d) 125 degrees



II – English Vocabulary and Comprehension

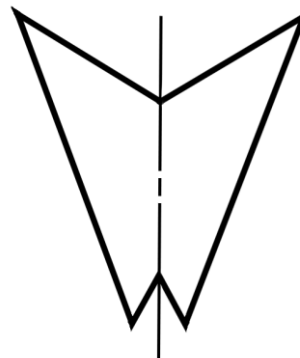
6. The term which would most accurately describe this illustration would be:

- (a) convex
(b) concave
(c) length
(d) width
(e) thickness



7. The term which would most accurately describe this illustration would be:

- (a) clockwise
(b) counter-clockwise
(c) symmetrical
(d) asymmetrical
(e) none of the above



In the following three questions, place the letter of the most suitable work in the blank space.

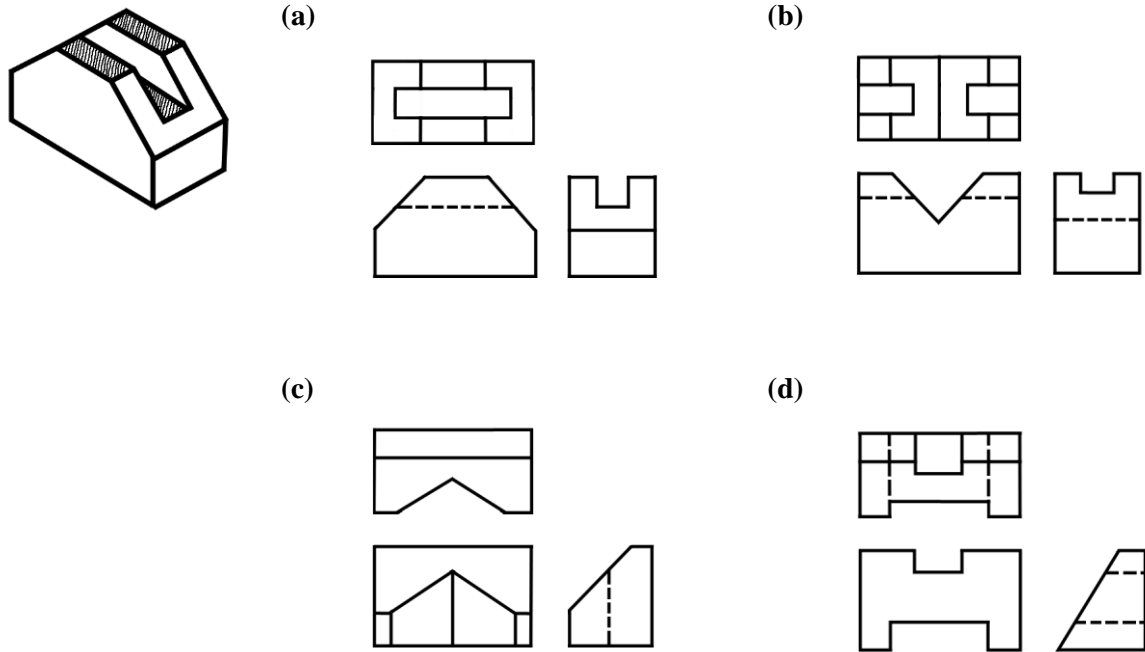
There are several methods of _____ **8** _____ lumber quantities using both metric and imperial measurement. All hardwood wholesalers and retailers still sell wood by an imperial measurement: **the board foot**. This creates a problem since many cutting lists are done in metric _____ **9** _____ to avoid adding and subtracting fractional sizes. The easiest method of converting from a metric cutting list to lumber quantity calculations in imperial board footage is to do a rough rounded conversion from the exact metric cutting size to an imperial cutting list of sizes which have been rounded up to convenient _____ **10** _____ numbers.

8. (a) ordering (b) sawing (c) calculating (d) jointing
9. (a) inches (b) feet (c) centimeters (d) measurements
10. (a) metric (b) imperial (c) fractional (d) whole

The English component of the test also has a composition portion, where applicants are asked to write a one-page paragraph on a given topic. The writing sample will be used to evaluate your ability to organize your thoughts and state them in a clearly written manner.

III – Visualization and Mechanical Aptitude

11. Which of these four drawings is a correct representation of the block shown here when viewed from above, from the front and from the right end?:



Answer Key:

1. (b) 2. (e) 3. (e) 4. (c) 5. (d) 6. (d) 7. (c) 8. (c)
9. (d) 10. (d) 11. (a)

Portfolio Requirements for Fine Furniture Program

Submitting a portfolio is a requirement for entry into the Fine Furniture Program. Each year many more people apply to enter the program than there are spaces available. The portfolio allows serious candidates to the program a chance to show skills in working with their hands, using tools to design and form materials.

In the past we have seen very acceptable portfolios featuring work with fabric, clay, stained glass, metal, stone sculpture, boat building and repair, automobile restoration and house renovation and construction. You do not necessarily have to submit furniture projects or items made of wood.

Drawing, painting, graphic design and photography are valuable supplements to a portfolio but are not sufficient if submitted alone. Most of the projects submitted in the portfolio should be three dimensional in nature.

The objects you wish to include in your portfolio should be photographs, either prints or slides and should be neatly mounted and labeled in an album or booklet. If you wish to show actual small objects in addition to your portfolio you can make an appointment to do so.

All portfolios mailed in will be held for you to pick up. If you wish the portfolio to be mailed back we will be happy to do so as long as you include your return address on the portfolio.

**Fine Furniture Program
Camosun College**

4461 Interurban Rd
Victoria BC V9E 2C1
Phone: (250) 370-3803
Fax: (250) 370-3898