

SCHEDULE I
SPECIFICATIONS – FILING AND STORAGE

Camosun does not have the space or personnel to provide assembly of any furniture. All furniture must be shipped fully assembled or assembled by the Proponents agent on site.

Installation - All cabinets to be balanced and leveled and must operate in a smooth flowing method without any rubbing surfaces.

Keys – all locks to come with two keys standard.

FACILITIES REFERENCE CODE	DESCRIPTION	VENDOR ID CODE
E-2F	LEGAL FILING CABINET, LATERAL 2 DRAWER, FIXED FRONT	
E-3F	LEGAL FILING CABINET, LATERAL 3 DRAWER, FIXED FRONT	
E-4F	LEGAL FILING CABINET, LATERAL 4 DRAWER, FIXED FRONT	
E-5F	LEGAL FILING CABINET, LATERAL 5 DRAWER, FIXED FRONT	
E-2R	LEGAL FILING CABINET, LATERAL 2 DRAWER, RECESSED FRONT	
E-3R	LEGAL FILING CABINET, LATERAL 3 DRAWER, RECESSED FRONT	
E-4R	LEGAL FILING CABINET, LATERAL 4 DRAWER, RECESSED FRONT	
E-5R	LEGAL FILING CABINET, LATERAL 5 DRAWER, RECESSED FRONT	
E-6	STORAGE CABINET UNDER COUNTER/DESK HEIGHT	
E-9	STORAGE CABINET FULL HEIGHT	
E-17	FILING CABINET, 2 DRAWER VERTICAL – DOORS LOCKING	



CODE NO:	E-2F	
ITEM:	LEGAL FILING CABINET, LATERAL 2-DRAWER, FIXED FRONT - A-GRADE QUALITY	
DIMENSIONS:	36"W X 18"D X 27"H approx.	
DESCRIPTION:	Two pullout drawers, fixed front drawers, hanging bars for legal files and full width finger pulls. Case top, back and sides to be reinforced cold rolled steel and top to have reinforcing channel. Drawers to have pullout anti tip safety feature and lock standard. Adjustable glides on all four corners.	
GAUGE	Case	Drawers
	<ul style="list-style-type: none">• 20 gauge top, sides, back• 18 gauge base, top stiffener• 22 gauge frames	<ul style="list-style-type: none">• 22 gauge fronts• 19 gauge body• 18 gauge sides
FINISHES:	Enamel on metal Colour: To be selected from manufacturers standard	
EQUIVALENT TO:	Global 9300 Series	



CODE NO: E-3F

ITEM: LEGAL FILING CABINET, LATERAL 3-DRAWER, FIXED FRONT - A-GRADE QUALITY

DIMENSIONS: 36"W X 18"D X 42"H approx.

DESCRIPTION: Two pullout drawers, fixed front drawers, hanging bars for legal files and full width finger pulls. Case top, back and sides to be reinforced cold rolled steel and top to have reinforcing channel. Drawers to have pullout anti tip safety feature and lock standard. Adjustable glides on all four corners.

GAUGE	Case	Drawers
	<ul style="list-style-type: none">• 20 gauge top, sides, back• 18 gauge base, top stiffener• 22 gauge frames	<ul style="list-style-type: none">• 22 gauge fronts• 19 gauge body• 18 gauge sides

FINISHES: Enamel on metal
Colour: To be selected from manufacturers standard

EQUIVALENT TO: Global 9300 Series



CODE NO:	E-4F	
ITEM:	LEGAL FILING CABINET, LATERAL 4-DRAWER, FIXED FRONT - A-GRADE QUALITY	
DIMENSIONS:	36"W X 18"D X 52"H approx.	
DESCRIPTION:	Two pullout drawers, fixed front drawers, hanging bars for legal files and full width finger pulls. Case top, back and sides to be reinforced cold rolled steel and top to have reinforcing channel. Drawers to have pullout anti tip safety feature and lock standard. Adjustable glides on all four corners.	
GAUGE	Case	Drawers
	<ul style="list-style-type: none">• 20 gauge top, sides, back• 18 gauge base, top stiffener• 22 gauge frames	<ul style="list-style-type: none">• 22 gauge fronts• 19 gauge body• 18 gauge sides
FINISHES:	Enamel on metal Colour: To be selected from manufacturers standard	
EQUIVALENT TO:	Global 9300 Series	



CODE NO: E-5F

ITEM: LEGAL FILING CABINET, LATERAL 5-DRAWER, FIXED FRONT - A-GRADE QUALITY

DIMENSIONS: 36"W X 18"D X 62"H approx.

DESCRIPTION: **Two pullout drawers, fixed front drawers, hanging bars for legal files and full width finger pulls. Case top, back and sides to be reinforced cold rolled steel and top to have reinforcing channel. Drawers to have pullout anti tip safety feature and lock standard. Adjustable glides on all four corners.**

GAUGE	Case	Drawers
	<ul style="list-style-type: none"> • 20 gauge top, sides, back • 18 gauge base, top stiffener • 22 gauge frames 	<ul style="list-style-type: none"> • 22 gauge fronts • 19 gauge body • 18 gauge sides

FINISHES: Enamel on metal
Colour: To be selected from manufacturers standard

EQUIVALENT TO: Global 9300 Series



CODE NO: E-2R

ITEM: LEGAL FILING CABINET, LATERAL 2-DRAWER, RECESSED FRONT - A-
GRADE QUALITY

DIMENSIONS: 36"W X 18"D X 27"H approx.

DESCRIPTION: Two pullout drawers, fixed front drawers, hanging bars for legal files and full width finger pulls. Case top, back and sides to be reinforced cold rolled steel and top to have reinforcing channel. Drawers to have pullout anti tip safety feature and lock standard. Adjustable glides on all four corners.

GAUGE

Case

Drawers

- | | |
|--|--|
| <ul style="list-style-type: none">• 20 gauge top, sides, back• 18 gauge base, top stiffener• 22 gauge frames | <ul style="list-style-type: none">• 22 gauge fronts• 19 gauge body• 18 gauge sides |
|--|--|

FINISHES: Enamel on metal
Colour: To be selected from manufacturers standard

EQUIVALENT TO: Global 9300 Series



CODE NO: E-3R

ITEM: LEGAL FILING CABINET, LATERAL 3-DRAWER, RECESSED FRONT - A-GRADE QUALITY

DIMENSIONS: 36"W X 18"D X 42"H approx.

DESCRIPTION: Three pullout drawers, top two recessed and bottom fixed front drawer. Hanging bars for legal files and full width finger pulls. Three file dividers per drawer. Case top, back and sides to be reinforced cold rolled steel and top to have reinforcing channel. Drawers to have pullout anti tip safety feature and lock standard. Adjustable glides on all four corners.

GAUGE	Case	Drawers
	<ul style="list-style-type: none"> • 20 gauge top, sides, back • 18 gauge base, top stiffener • 22 gauge frames 	<ul style="list-style-type: none"> • 22 gauge fronts • 19 gauge body • 18 gauge sides

FINISHES: Enamel on metal
Colour: To be selected from manufacturers standard

EQUIVALENT TO: Global 9300 Series



CODE NO: E-4R

ITEM: LEGAL FILING CABINET, LATERAL 4-DRAWER, RECESSED FRONT- A-
GRADE QUALITY

DIMENSIONS: 36"W X 18"D X 52"H approx.

DESCRIPTION: Four pullout drawers, top three recessed and bottom fixed front drawer. Hanging bars for legal files and full width finger pulls. Three file dividers per drawer. Case top, back and sides to be reinforced cold rolled steel and top to have reinforcing channel. Drawers to have pullout anti tip safety feature and lock standard. Adjustable glides on all four corners.

GAUGE

Case

Drawers

- | | |
|--|--|
| <ul style="list-style-type: none">• 20 gauge top, sides, back• 18 gauge base, top stiffener• 22 gauge frames | <ul style="list-style-type: none">• 22 gauge fronts• 19 gauge body• 18 gauge sides |
|--|--|

FINISHES: Enamel on metal
Colour: To be selected from manufacturers standard

EQUIVALENT TO: Global 9300 Series



CODE NO: E-5R

ITEM: LEGAL FILING CABINET, LATERAL 5-DRAWER, RECESSED FRONT - A-GRADE QUALITY

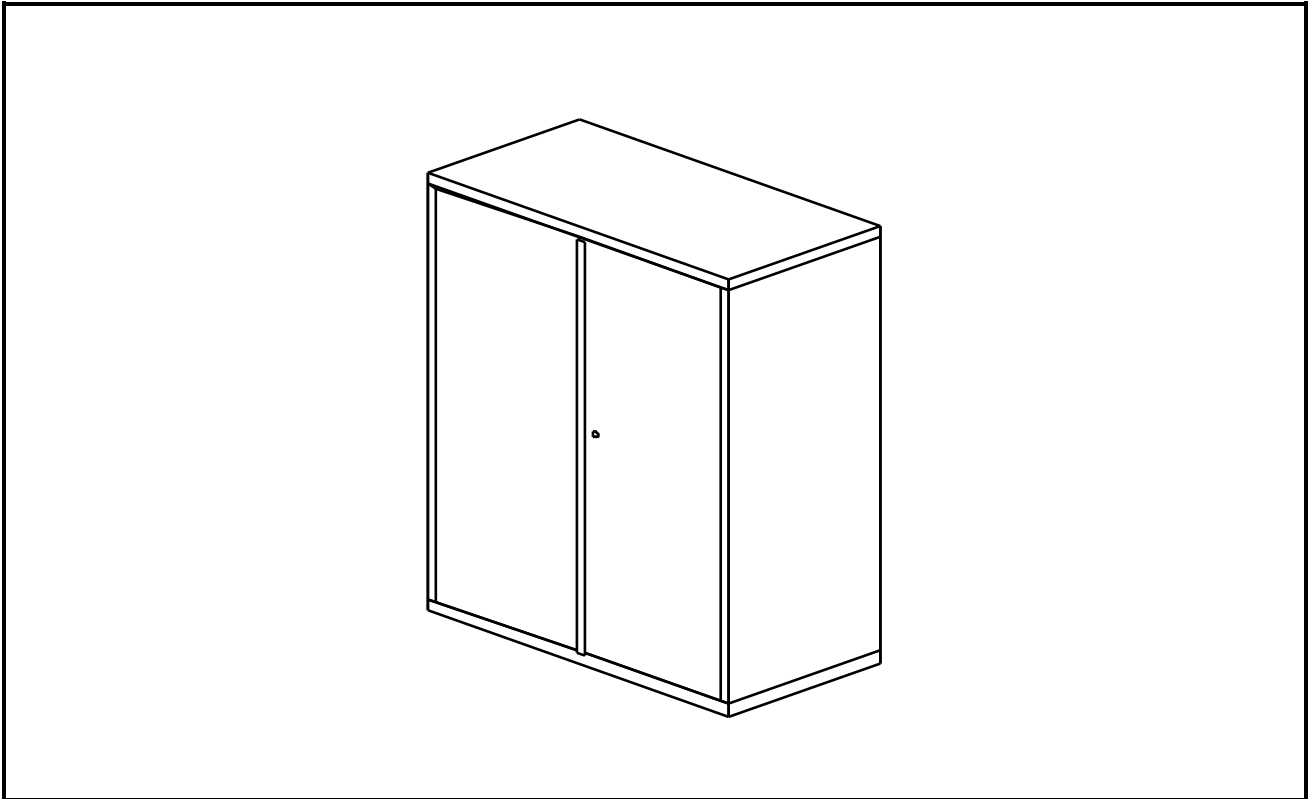
DIMENSIONS: 36"W X 18"D X 62"H approx.

DESCRIPTION: Five pullout drawers, four with recessed fronts, bottom fixed front. One pull out shelf for filing. Hanging bars for legal files and full width finger pulls. Three file dividers per drawer. Case top, back and sides to be reinforced 20 gauge cold rolled steel and top to have reinforcing channel. Drawers to have pullout anti tip safety feature and lock standard. Adjustable glides on all four corners.

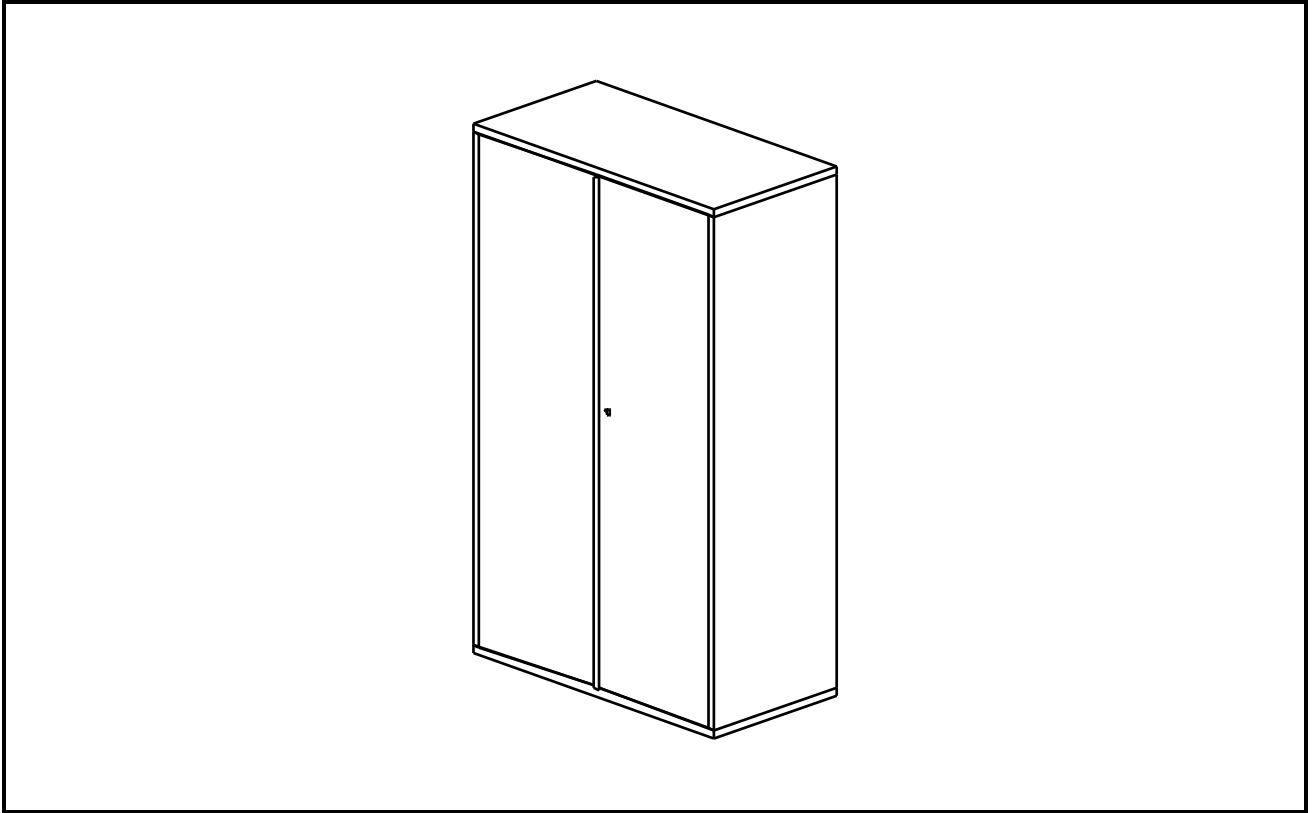
GAUGE	Case	Drawers
	<ul style="list-style-type: none"> • 20 gauge top, sides, back • 18 gauge base, top stiffener • 22 gauge frames 	<ul style="list-style-type: none"> • 22 gauge fronts • 19 gauge body • 18 gauge sides

FINISHES: Enamel on metal
Colour: To be selected from manufacturers standard

EQUIVALENT TO: Global 9300 Series



CODE NO:	E-6
ITEM:	STORAGE CABINET UNDER COUNTER/DESK HEIGHT - A-GRADE QUALITY
DIMENSIONS:	36"W X 18"D X 27"H APPROX.
DESCRIPTION:	Two door cabinet complete with two adjustable shelves; case top back and sides to be reinforced cold rolled steel; top to have reinforcing channel; lock standard; adjustable glides on all end corners.
GAUGE:	<ul style="list-style-type: none">• 20 gauge top, sides, back• 18 gauge base• 24 gauge doors, door channels• 22 gauge shelves
FINISHES:	Enamel on metal or approved equivalent Colour: To be selected from manufacturers standard
EQUIVALENT TO:	Global 9300 Series



CODE NO:	E-9
ITEM:	STORAGE CABINET FULL HEIGHT - A-GRADE QUALITY
DIMENSIONS:	36"W X 18"D X 76"H approx.
DESCRIPTION:	Two door cabinet with five slotted, adjustable shelves at 1 1/2" O.C. with three dividers per shelf. Case top, back and sides to be reinforced cold rolled steel. Top to have reinforcing channel. Lock standard. Adjustable glides on all corners.
GAUGE:	<ul style="list-style-type: none">• 20 gauge top, sides, back• 18 gauge base• 24 gauge doors, door channels• 22 gauge shelves
FINISHES:	Enamel on metal or approved equivalent Colour: To be selected from manufacturers standard
EQUIVALENT TO:	Global 9300 Series



CODE NO: E-17

ITEM: FILING CABINET, 2-DRAWER VERTICAL, LEGAL - A-GRADE QUALITY

DIMENSIONS: 18"W X 28 3/4"D X 26 7/8"H approx.

DESCRIPTION: Two legal size drawers, fixed front drawers. Hanging bars for legal files and full width finger pulls. Case top, back and sides to be reinforced cold rolled steel and top to have reinforcing channel. Drawers to have pullout safety feature and lock standard. Adjustable glides on all four corners.

GAUGE

Case

Drawers

- 22 gauge top
- 24 gauge sides, side frames, back
- 20 gauge base

- 22 gauge fronts
- 24 gauge body, sides, drawer back,
- 18 gauge follower back, cradle

FINISHES: Enamel on metal or approved equivalent
Colour: To be selected from manufacturers standard

EQUIVALENT TO: Global 2800 Series
